



AFWERX
AFVENTURES

**AFX24.5 & AFX24.D Open Topic Phase I
Overview & AMA**

1 February 2024

Rules of Engagement

1. Call is recorded
2. No Classified/Proprietary Information
3. Post Questions in Q&A portion

**All information is subject to change.
The final, authoritative source of info & requirements
is the solicitation instructions found on DSIP.**

Branch Org Inboxes

- Open Topic Phase I: p1@afwerx.af.mil
- Open Topic Phase II: p2@afwerx.af.mil
- Specific Topic: usaf.team@afsbirsttr.us
- STRATFI/TACFI: stratfi.tacfi@afwerx.af.mil



Visit our website at [AFWERX.com](https://afwerx.com)
and social media channels:



DAF Open Topic Solicitations

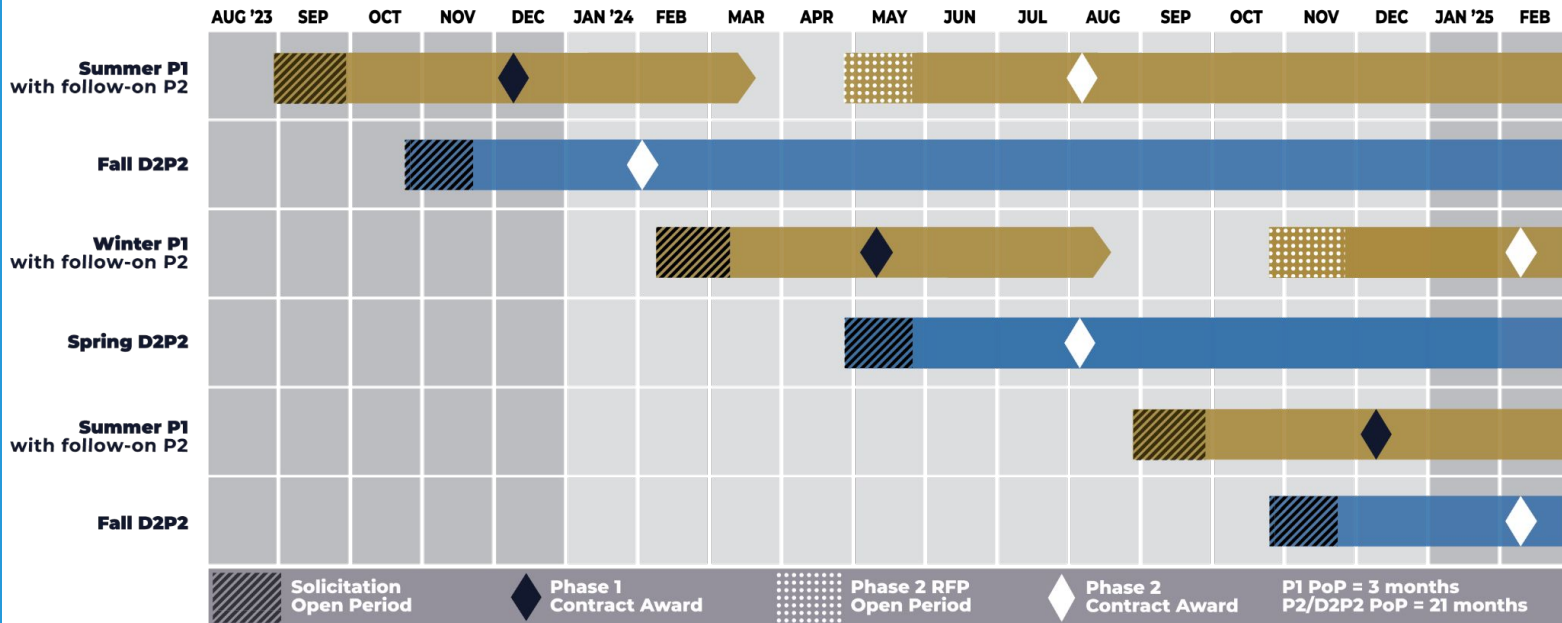
Topics are truly “open” and agnostic of industry, technology, or problem area.

We are seeking...

- Innovative, dual-use tech solutions (i.e. applicable to defense and non-defense)
- Clear potential to solve a DAF mission need (USAF, USSF, or both)
- Capability to prototype under an accelerated schedule
- Ability to scale and grow the industrial base for defense
- Applied R&D efforts rather than “front-end” or basic research

Open Topic Annual Cycle

ANNUAL CYCLE FOR DAF SBIR/STTR OPEN TOPIC



NOTE: Dates are subject to change.

Open Topic Limits

Phase I Feasibility Study

- Up to \$75K per award (SBIR)
- Up to \$110K per award (STTR)
- 3 month period of performance
- ~700 awards per year

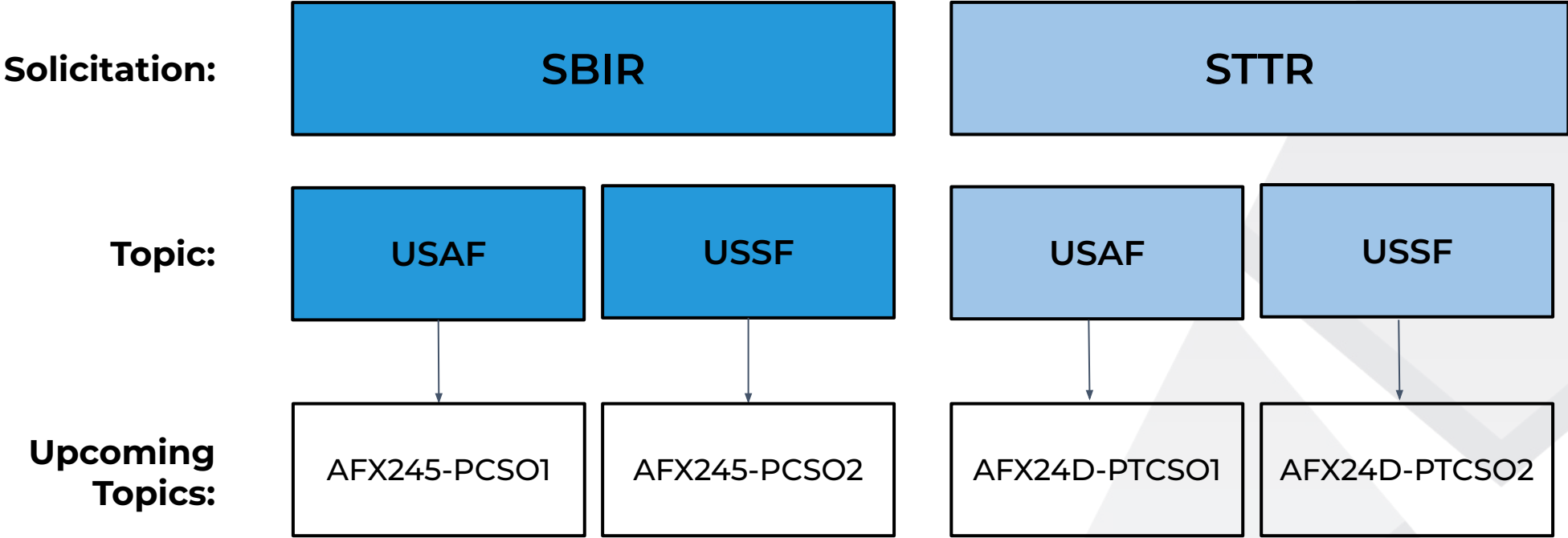
Phase II Prototyping

- Up to \$1.25M per award (SBIR)
- Up to \$1.8M per award (STTR)
- Up to 21 month period of performance
- ~350 awards per year

Phase I releases include SBIR and STTR.

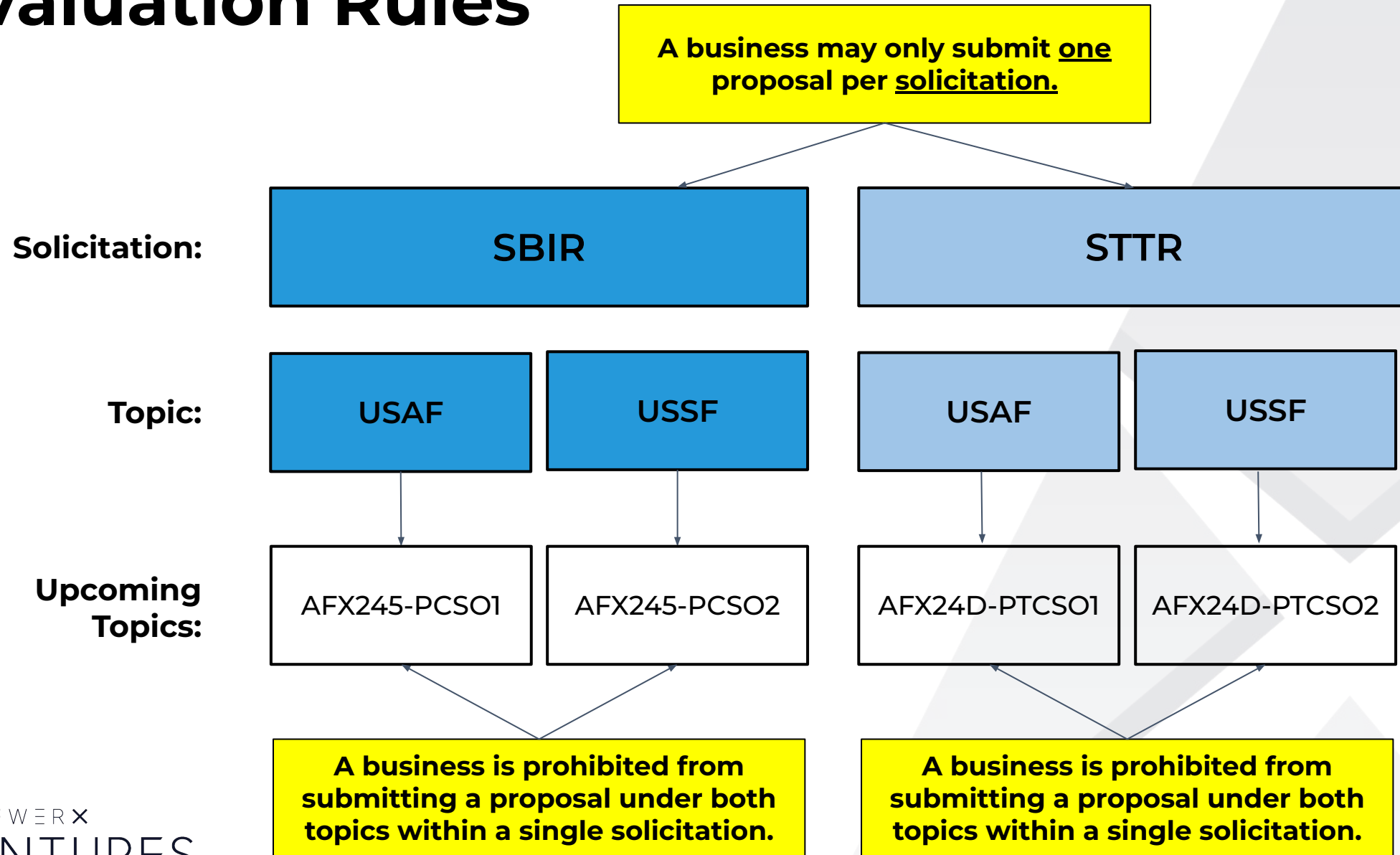
D2P2 releases are SBIR only.

Solicitations vs. Topics*



*Only applies to Open Topic. Specific Topic uses a different framework.

Evaluation Rules



Solicitation Highlights

Open Topic Phase I SBIR/STTR

- Purpose: Find the fit between your validated non-defense commercial product and the defense market
- Period of Performance (PoP): up to 90 days
- Funding Limits: up to \$75K (SBIR) and \$110K (STTR)

SBIR vs STTR Requirements

STTR is Similar to SBIR

- Three phase commercialization program codified in statute
 - Discover (P1) – Prototype (P2) – Transition (P3)
- Results in sole-source justification for use by *all US federal agencies*

BUT,

STTR has unique qualities based on its research focus

- Requires **one** qualifying research institute to perform **30% - 60%** of work (e.g. university, non-profit, or Federally Funded Research & Development Center (FFRDC))
- Principal Investigator (PI) may be primarily employed by research entity (e.g. professor) or the small business
- Leverages close ties with both Federal R&D and operational communities

What is Research or Research & Development (R/RD)?

SBIR/STTR programs are funded by Research, Development, Test & Evaluation (RDT&E) Appropriations. Use of these funds is governed by federal financial law. Therefore, proposed projects must meet certain definitions and requirements to be eligible for SBIR/STTR funding.

Research or Research & Development (R/R&D):

- A **systematic study** directed specifically toward **applying knowledge and innovation to meet a recognized but unmet need**
- A **systematic application of knowledge and innovation** toward the production of useful materials, devices, and systems or methods, **including design, development, and improvement of prototypes and new processes** to meet specific requirements.

Suggestions:

- Ensure your proposal explicitly explains the RDT&E work you will be accomplishing
- Ensure the proposal does not lump R&D costs under licensing to provide clarity to actual costs

R/R&D concerning COTS & NDIs

Items purchased directly from a commercial source that can be utilized without alteration through design and development, or without modification, are Commercial Off-the-Shelf (COTS) or Non-Developmental Items (NDI). This includes ready-to-use software, training services, and ready-to-use products.

COTS and NDIs by themselves are not suitable for SBIR/STTR funding.

****HOWEVER****

If (A) an end item requires design and development in order to accept the COTS or NDI
OR
(B) a COTS or NDI is required for RDT&E test purposes, funding for design and development, then they are classified as Modified COTS or Modified NDI and could be funded by SBIR/STTR funds.

SBIR/STTR Proposal Structure

- **Vol 1: Proposal Cover Sheet (SAM, UEI, CAGE, Abstract, etc)**
- **Vol 2: Technical Volume**
 - Maximum of 25 slides (**11 required**, 6 required as applicable, remaining at applicant's discretion)
- **Vol 3: Cost Volume**
 - System formatted inputs
- **Vol 4: Company Commercialization Report (CCR)**
 - Follow solicitation instructions for Volume 4
 - CCR information is maintained and report is generated via sbir.gov
 - CCR is uploaded to DSIP as part of the proposal submission process, as applicable
- **Vol 5: Supporting Documents**
 - Additional Cost Info (your preferred format)
 - ***IP Agreement with RI (SBA template available) (STTR ONLY)**
 - Resumes for key personnel
 - DoD Funding Agreement Certification
 - Work Plan (Non-proprietary)
 - Additional Required Attachments (Ie: Lifecycle Certification, ESOH Questionnaire)
 - **Attachment 4: Disclosures of Foreign Affiliations or Relationships to Foreign Countries**
- **Vol 6: Fraud, Waste, and Abuse Training**

IMPORTANT NOTE:
Proposals that do not include Attachment 4
will be deemed noncompliant and will not
receive an evaluation.

Submission Requirements

- All eligible offerors must be qualifying, registered small businesses in SAM.gov
- Complete proposals must be submitted via the Defense SBIR/STTR Innovation Portal (DSIP)
 - We cannot pre-read or recommend proposals or receive non-DSIP submissions
- **Must be Research, Development, Test, and Evaluation (RDT&E) activities**
 - Not services, not procurement
 - See modified-COTS description in solicitation
- **Fraud, Waste, and Abuse training - completed by applicant**
 - Must be completed by one DSIP firm user with read/write access (Proposal Owner, Corporate Official, or Firm Admin) on behalf of the firm.
- **STTR ONLY - Must propose effort with a qualifying RI subcontractor**
 - $\geq 40\%$ to the Small Business
 - $\geq 30\%$ to one Research Institution (RI)
 - 30% trade space (Small Business, RI, subcontractor, secondary RI, etc)
- **Proposals not meeting the above will not be considered**

Common Causes for Non-selection

- Exceeding Cost or Duration Limits - \$75K (SBIR) and \$110K (STTR); 3 months max
- SAM.gov Registration - firms must have an active registration
- Missing Documentation - be sure to include all required Volumes and attachments
- Multiple Submissions
 - A small business concern may only submit one proposal under each solicitation.
 - A small business concern is prohibited from submitting a proposal under both topics (i.e., submit to both the AF and SF topics of a single SBIR solicitation).
 - If more than one proposal from a small business concern is received for a single solicitation, **only the most recent proposal to be certified and submitted prior to the submission deadline** will receive an evaluation.
- Not clearly addressing evaluation criteria (see section 6)

What's Next?

- **Proposals due Thursday, March 7th @ Noon Eastern**
 - Do not wait until the end of the submission period to submit proposal materials
 - All proposals must be submitted via DSIP (<https://www.dodsbirsttr.mil/>)
- **Be familiar with Evaluation Criteria (Solicitation Section 6)**
 - Commercialization Potential
 - Defense Need
 - Technical Merit
- **Questions must be answered via DSIP Q&A or AMA webinars**
 - The solicitation instructions provide your best source of information

Solicitation Resources

Contracting Officer: Mr. Daniel Brewer

Program Manager: Ms. Emily Primeaux

For questions, utilize DSIP Q&A section

<https://www.dodsbirsttr.mil/submissions/baa-schedule/active-baa-announcements>

Additional resources can be found at [AFWERX.com](https://www.afwerx.com)



AFWEX
AFVENTURES

Questions?

Please type your questions in the Q&A section.



AFWERX AFVENTURES

Still have questions?

Specific Topic: usaf.team@afsbirsttr.us

Open Topic Phase I: p1@afwerx.af.mil

Open Topic Phase II: p2@afwerx.af.mil

STRATFI/TACFI: stratfi.tacfi@afwerx.af.mil



Let us know how we are doing. Please complete the survey as you leave today's meeting.